














EMERSON MOULDING & MILLWORK

CATALOG

IN STOCK MOULDINGS

2279 NW FRONT AVE.
PORTLAND, OR 97209
503-227-6414
emersonhardwood.com



	CASING	2
	BASE	3
	CROWN	4
	PANEL MOULD	6
	CHAIR RAIL	7
	SCREEN MOULD	7
	BASE SHOE	7
	QUARTER ROUND	7
	SMOOTH FULL ROUND	8
	SCRIBE MOULD	8
	BATTON MOULD	8
	CORNER MOULD	8
	COVE MOLD	8

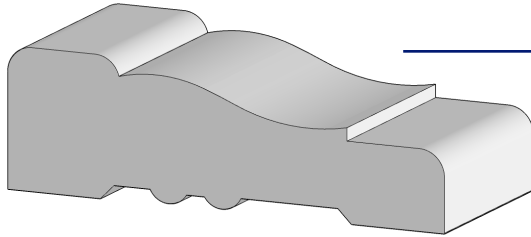
EMERSON MOULDING & MILLWORK OFFERS ALL AREAS OF MILLWORK. FROM STANDARD TO FULL CUSTOM. WE HAVE YOU COVERED

**MOULDING :: RESAW :: GLUED PANELS :: S4S
CUSTOM PROFILES :: PLANING :: SANDING :: SHAPING**

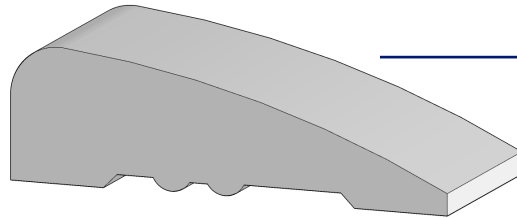
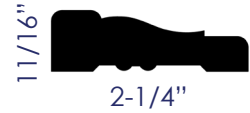


CASING

2



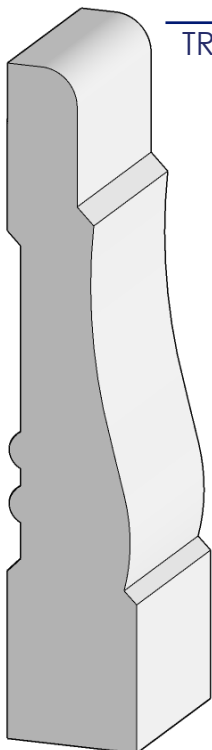
EM 1200
TRADITIONAL CASING
11/16" X 2-1/4"



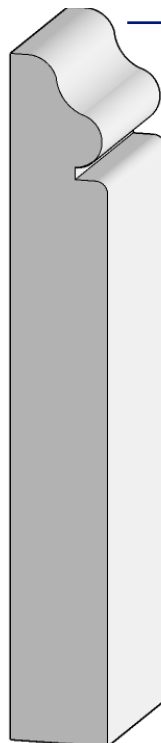
EM 1202
CLAMSHELL CASING
11/16" X 2-1/4"



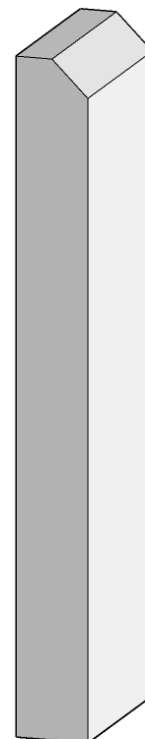
BASE & BACKSPLASH



EM 2300
TRADITIONAL BASE
11/16" X 3-1/2"



EM 2302
OGEE BASE
1/2" X 3-1/2"



EM 2316
BACKSPLASH
3/8" X 3-1/2"





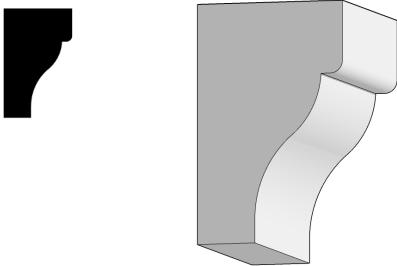
3

CROWN



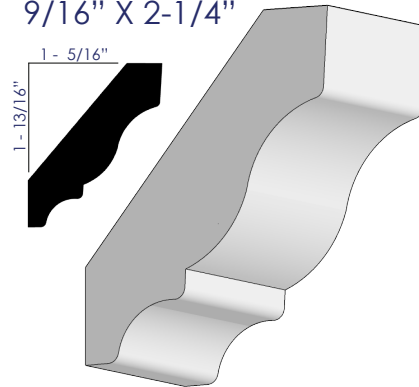
EM 3100

MINI CROWN
3/4" X 1-3/16"



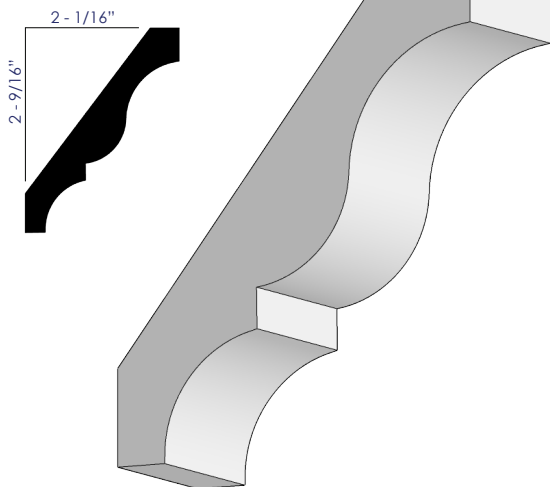
EM 3200

TRADITIONAL CROWN
9/16" X 2-1/4"



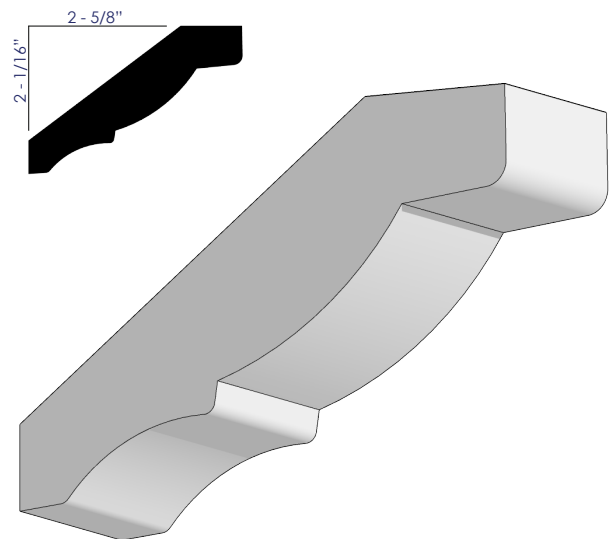
EM 3300

TRADITIONAL CROWN
9/16" X 3-1/4"



EM 3380

DELAWARE CROWN
7/8" X 3-5/16"

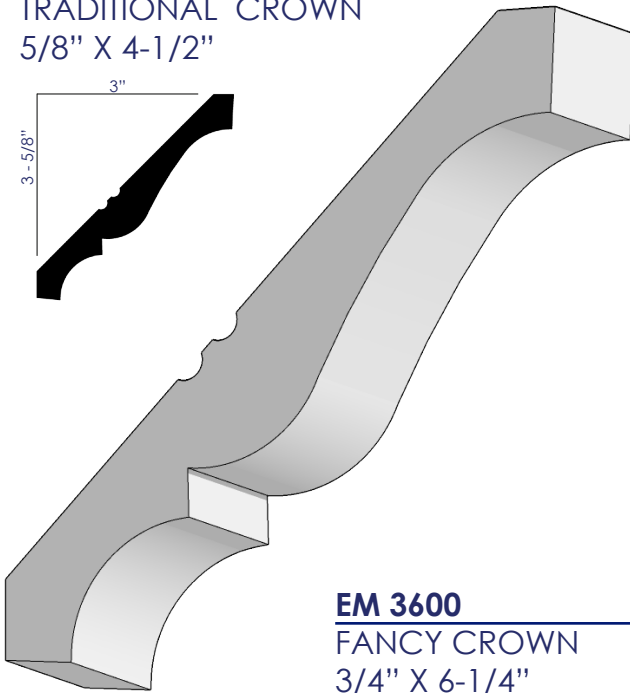




EM² **CROWN** **4**

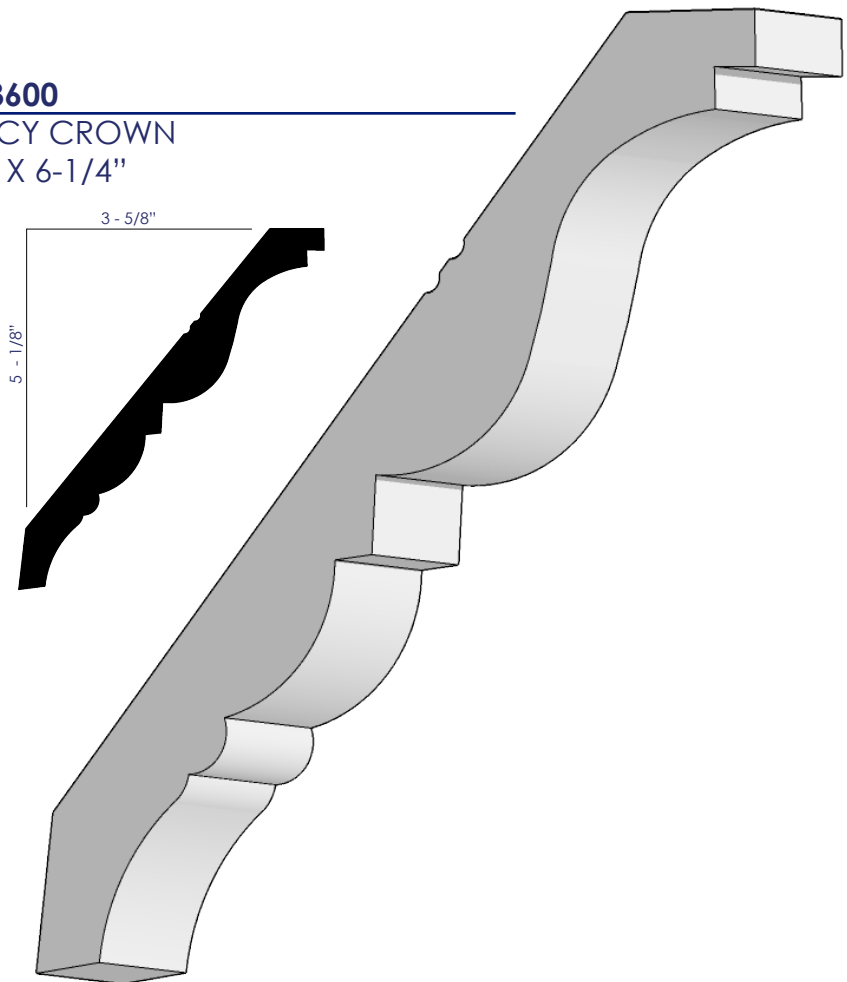
EM 3400

TRADITIONAL CROWN
5/8" X 4-1/2"



EM 3600

FANCY CROWN
3/4" X 6-1/4"





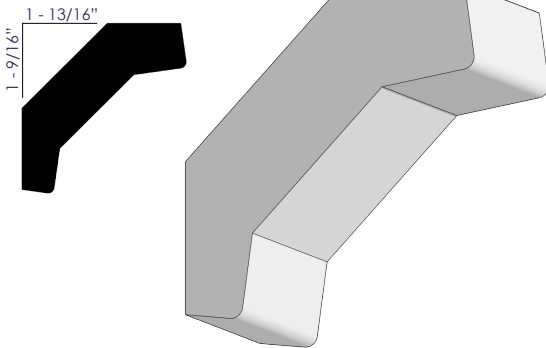
5

CROWN



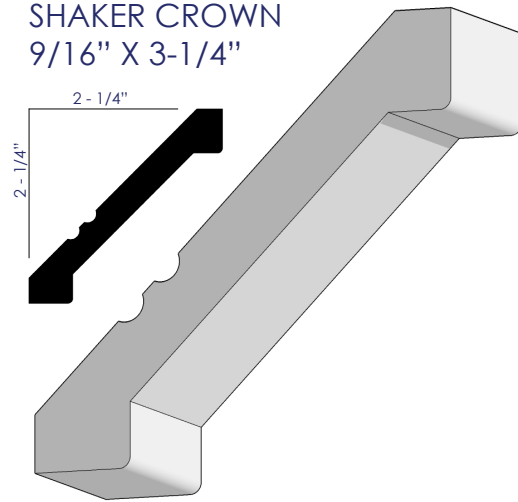
EM 3250

SHAKER CROWN
53/64" X 2-1/4"



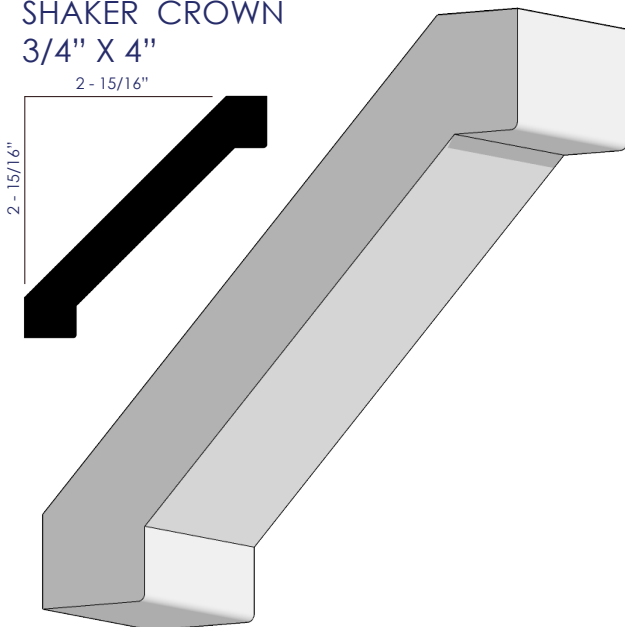
EM 3303

SHAKER CROWN
9/16" X 3-1/4"



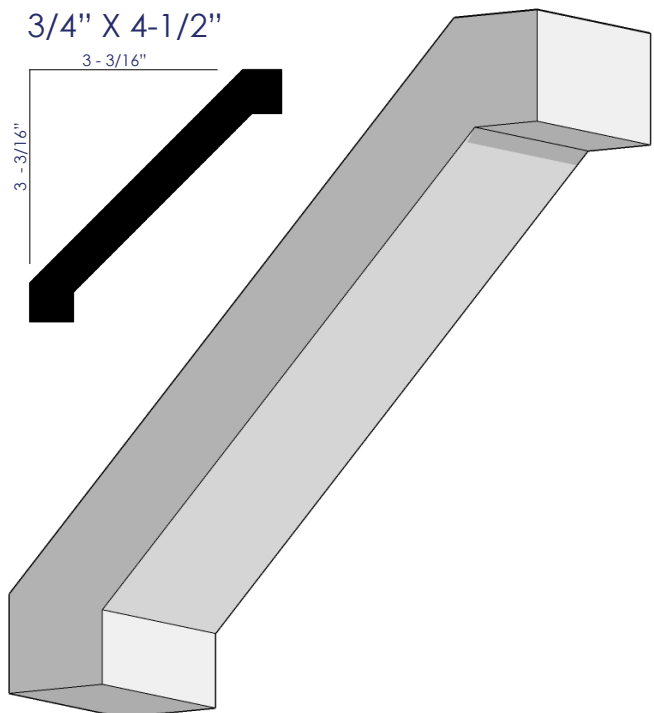
EM 3405

SHAKER CROWN
3/4" X 4"



EM 3406

SHAKER CROWN
3/4" X 4-1/2"

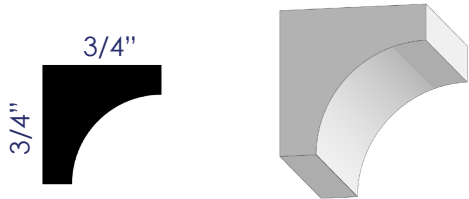




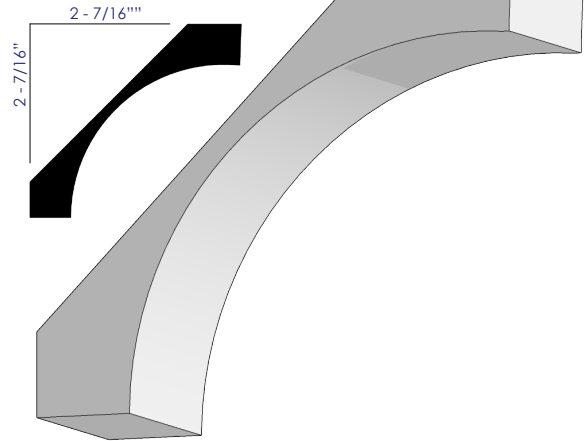
CROWN

6

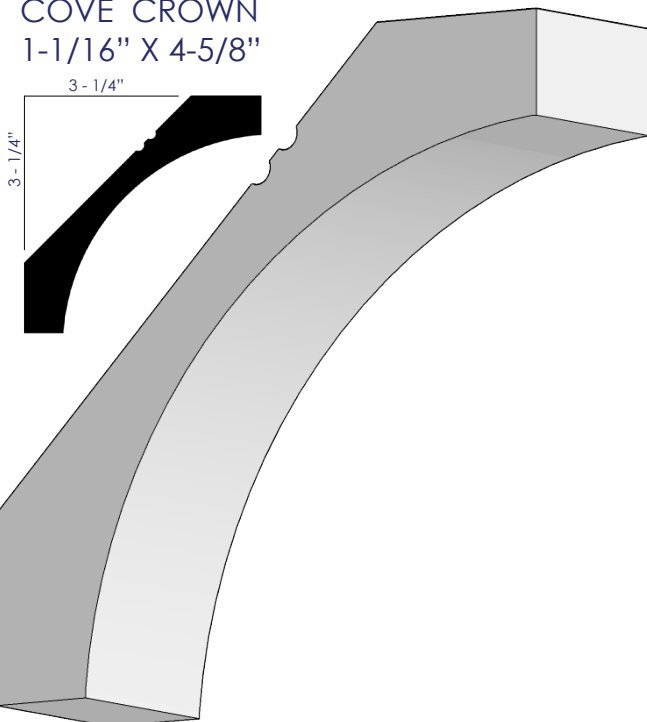
EM 6005
COVE MOULD
3/4" X 3/4"



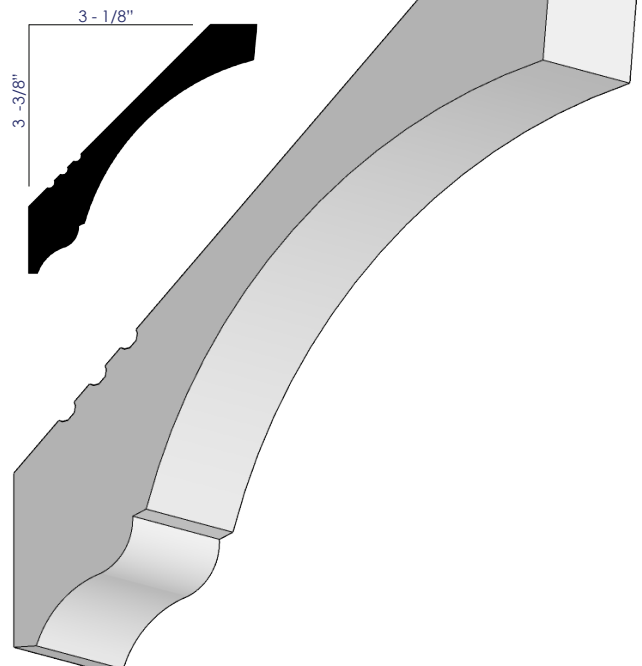
EM 3301
COVE CROWN
13/16" X 3-1/2"



EM 3401
COVE CROWN
1-1/16" X 4-5/8"

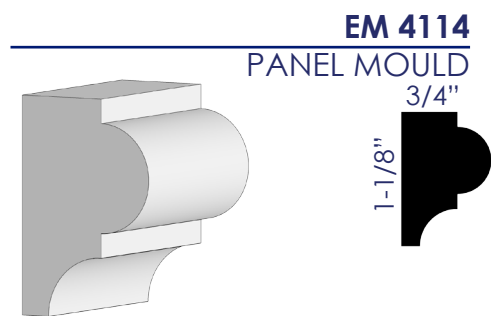
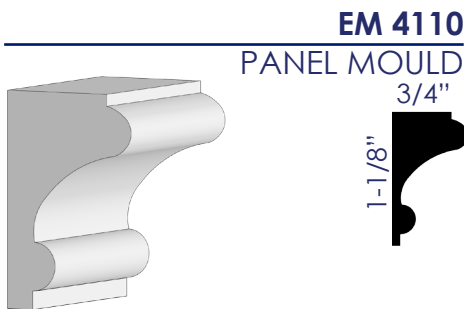
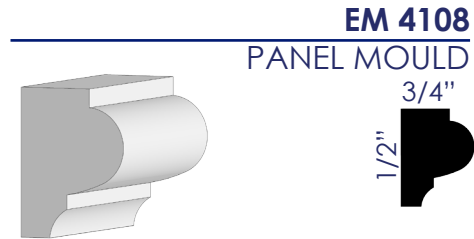
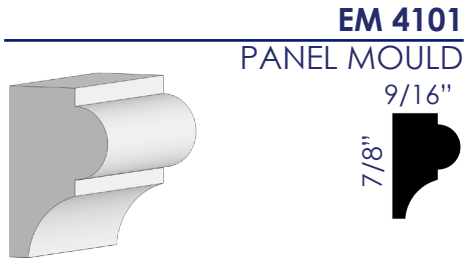


EM 3525
CUSTOM COVE CROWN
3/4" X 4-1/2"

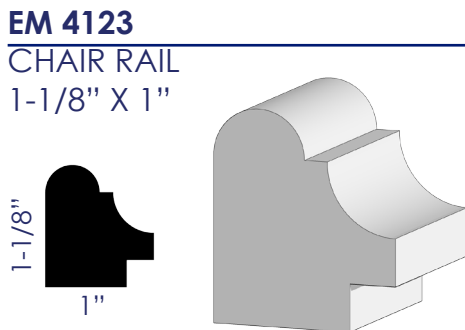




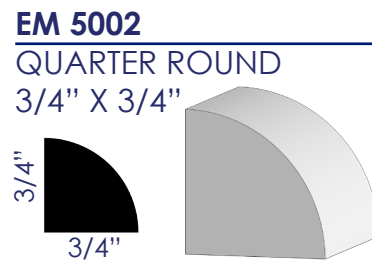
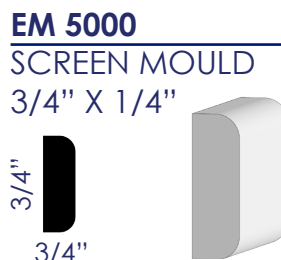
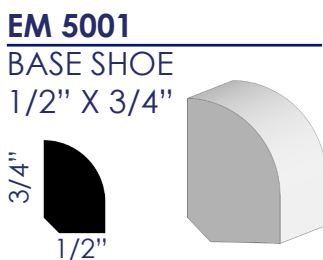
7 PANEL MOULD



CHAIR RAIL



SCREEN MOULD :: BASE SHOE :: QTR. ROUND :





SCRIBE & BATTON MOULD

8

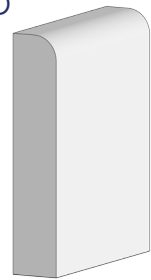
EM 5021
SCRIBE MOULD
1/4" X 3/4"



EM 5225
BATTON MOULD
1/4" X 1-1/4"

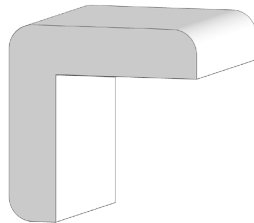
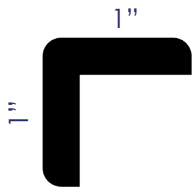


EM 5227
SCRIBE MOULD
1/4" X 1-1/4"

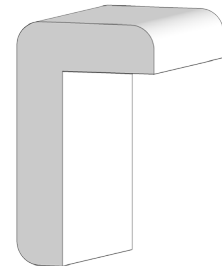


CORNER MOULD

EM 6001
CORNER MOULD
1" X 1"



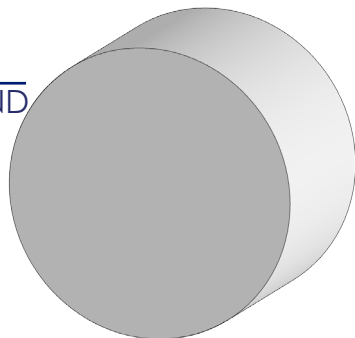
EM 6002
CORNER MOULD
3/4" X 1-1/4"



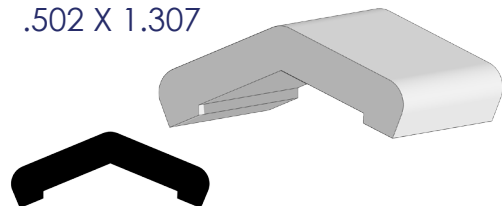
SMOOTH FULL ROUND

135° OUTSIDE

EM 5016
SMOOTH FULL ROUND
1-1/2"



EM 6005
135° OUTSIDE
.502 X 1.307





9 S4S DIMENSIONAL LUMBER EM2

3/4" X 1-1/2" 1X2



3/4" X 2-1/2" 1X3



3/4" X 3-1/2" 1X4



3/4" X 4-1/2" 1X5



3/4" X 5-1/2" 1X6



3/4" X 7-1/4" 1X8



3/4" X 9-1/4" 1X10



3/4" X 11-1/4" 1X12



Available in: Poplar, Alder, Cherry, White Oak
Walnut, Maple, Beech, Birch and Sapele.

On 1X10 & 1X12, please inquire on species available



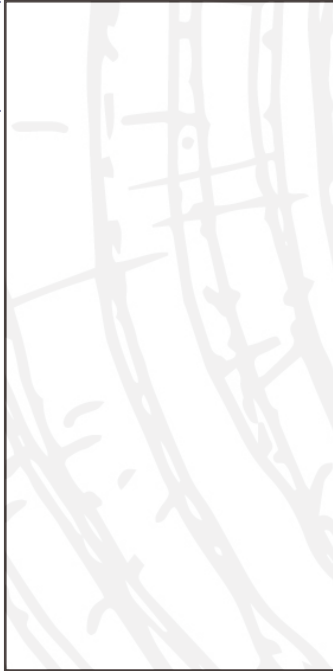
S4S DIMENSIONAL LUMBER

10

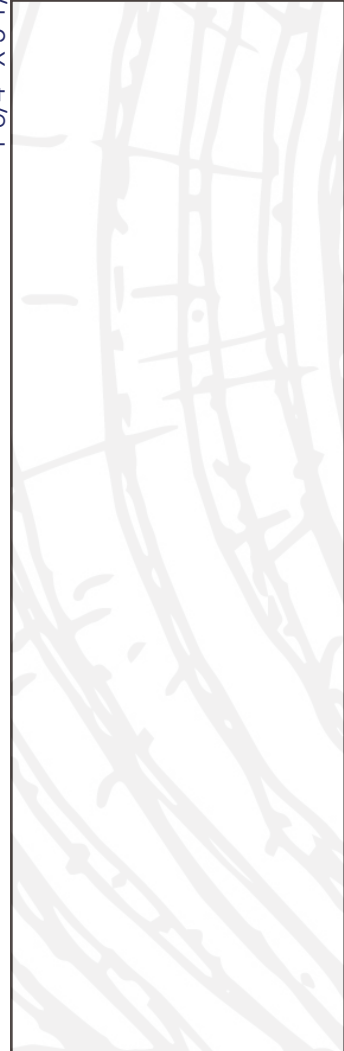
1-3/4" X 1-3/4" 2X2



1-3/4" X 3-1/2" 2X4



1-3/4" X 5-1/2" 2X6



Available in: Poplar, Alder, Cherry, White Oak
Walnut, Maple, Beech, Birch and Sapele.

On 1X10 & 1X12, please inquire on species available

:: HISTORY ::



Emerson Hardwood celebrated its 110th anniversary in 2017. The company is a fourth generation family owned business celebrating its past with a focus on the future, and the future involves the company's latest investment in a state of the art millwork and moulding manufacturing facility featuring some of the most advanced woodworking equipment currently available.

In 1907, Emerson Hardwood Company was established with a band mill and veneer saw in Portland, Oregon, manufacturing lumber and flooring. Over the years the supply markets changed and Emerson hardwood became a wholesale distributor of lumber, flooring and plywood, easing itself out of manufacturing.

Today, Emerson Hardwood Group consists of four divisions, operating from eight locations in two states.

Emerson Hardwood Floors, with three locations; Portland, Seattle and Eugene, is a wholesale distributor of domestic and imported hardwood flooring offering strip, plank, unfinished and prefinished flooring, as well as mouldings, finishes abrasives, fasteners, equipment and other products the professional flooring trade require.

Crosscut Hardwoods, Emerson's specialty hardwood stores, which we call "The Woodworker's Candy Store," offers an extensive selection of domestic and imported lumber, plywood, veneers, mouldings, decking and other related products, with locations in Portland, Seattle and Eugene catering to the contractor and general public.

EMERSON HARDWOOD GROUP
since 1907

